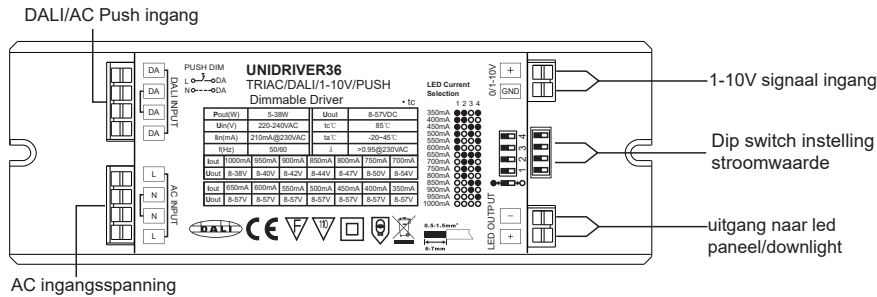


# UNIDRIVER36

**Belangrijk:** Lees aub deze instructies aandachtig alvorens over te gaan tot de installatie.



- Dimbare LED driver met DALI/Push/Triac/1-10V dim interface
- Voldoet aan IEC 62386-101:2014, IEC 62386-102:2014, IEC 62386-207 Ed2.
- Ingebouwde DALI-2 interface, DALI DT6 toestel
- Uitgang 1 kanaal constant current max. uitgangsvermogen 38W
- Uitgangsstroom regelbaar tussen 350-1000mA met DIP switch
- Geschikt voor de bediening van mono-color toepassingen
- Klasse II driver, volledig geïsoleerde behuizing in kunststof
- Hoge efficiëntie en power factor
- Compatibel met universele DALI masters die DT6 ondersteunen
- Compatibel met universele Triac dimmers
- Compatibel met universele 1-10V dimmers
- Amplitude dimming (PWM dimming onder 10%), diep en vlekkeloos dimmen tot 0.1%, flicker free
- Beschermingsgraad IP20, enkel geschikt voor indoor toepassingen
- 5 jaar garantie

### DIP switch instellingen



350mA ●●●●	550mA ●○○●	750mA ○●●●	950mA ○○○●
400mA ●●○○	600mA ●○○○	800mA ○●○○	1000mA ○○○○
450mA ●○●●	650mA ○●●●	850mA ○○●●	
500mA ●○●○	700mA ○●●○	900mA ○○●○	

**!! Steeds de spanning uitschakelen bij aanpassen dip switches !!**

### Instellingen voor Integratetech QT/QTU/BRIGHT panelen

30W:750mA  
36W:900mA

### Instellingen voor Integratetech MANGA U panelen

30W:750mA  
36W:900mA  
38W:1000mA

Aansluitbereik schroefloze connectoren: 0,75~2,5 mm<sup>2</sup>

### Product Data

Output	LED Channel	1						
	Selectable Current	350mA	400mA	450mA	500mA	550mA	600mA	650mA
	DC Voltage Range	8-57V	8-57V	8-57V	8-57V	8-57V	8-57V	8-57V
	Selectable Current	700mA	750mA	800mA	850mA	900mA	950mA	1000mA
	DC Voltage Range	8-54V	8-50V	8-47V	8-44V	8-42V	8-40V	8-38V
	Current Accuracy	±3%						
Rated Power	5-38W							
Input	Voltage Range	220-240V AC						
	Frequency	50/60Hz						
	Power Factor (Typ.)	> 0.95						
	Efficiency (Typ.)	> 85% @ 230VAC						
	Input Current	210mA @ 230VAC						
	Inrush Current (Typ.)	COLD START Max. 2A @ 230VAC						
Control	Dimming Interface	DALI (DALI consumption<2mA)/Push+Triac+0/1-10V						
	Dimming Range	0.1%-100%						
	Dimming Method	Amplitude dimming (PWM dimming under 10%)						
Protection	Short Circuit	Yes, auto recovery after fault removed						
	Over Current	Yes, auto recovery after fault removed						
	Over Temperature	Yes, auto recovery after fault removed						

Environment	Working Temp.	-20°C ~ +45°C
	Max. Case Temp.	85°C (Ta=45°C)
	Working Humidity	10% ~ 95% RH non-condensing
	Storage Temp. & Humidity	-40°C ~ +80°C, 10% ~ 95% RH
Safety&EMC	Safety Standards	EN61347-1, EN61347-2-13
	Withstand Voltage	I/P-O/P: 3.75KVAC
	EMC Emission	EN55015, EN61000-3-2, EN61000-3-3
	EMC Immunity	EN61547, EN61000-4-2,3,4,5,6,8,11, surge immunity Line-Line 1KV
Others	MTBF	188600H, MIL-HDBK-217F @ 230VAC at full load and 25°C ambient temperature
	Dimension	170*59*29mm (L*W*H)

## Werking

### 1. Selectie dim interface

- 1.1. De LED driver ondersteund 4 dim mogelijkheden: DALI, Drukknop, 1-10V, TRIAC.
- 1.2. Voer de gewenste bedrading uit volgens afgebeeld schema hiernaast.
- 1.3. Bij gebruik van een andere dim methode steeds de bestaande bedrading verwijderen.
- 1.4. Gebruik nooit meer dan twee dim methodes tegelijk.

### 2. DALI adres toegewezen door DALI Masters

Wanneer aangesloten op een DALI bus wordt er één DALI adres automatisch toegewezen aan de driver. Raadpleeg de handleiding van de DALI master voor specifieke opties.

### 3. Drukknop mode

Bij gebruik van een drukknop gaat de driver automatisch in drukknop modus.

Werking drukknop modus:

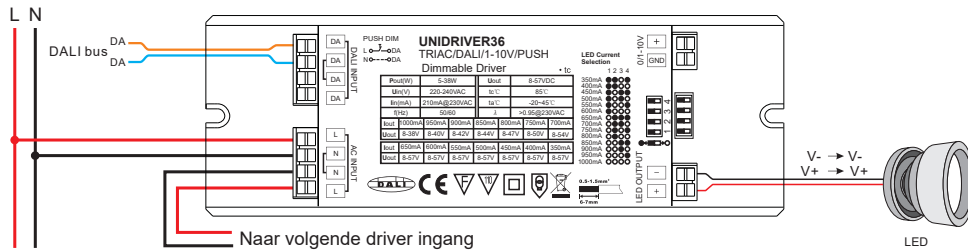
- 3.1. Druk kort op de drukknop voor in- of uitschakelen.
- 3.2. Druk lang om naar 1 of 100% te dimmen.
- 3.3. De driver is uitgerust met een geheugen functie. Bij opnieuw inschakelen keert de driver terug naar de laatste instelling. Ook bij onderbreking van de spanning.

### 4. TRIAC dim modus

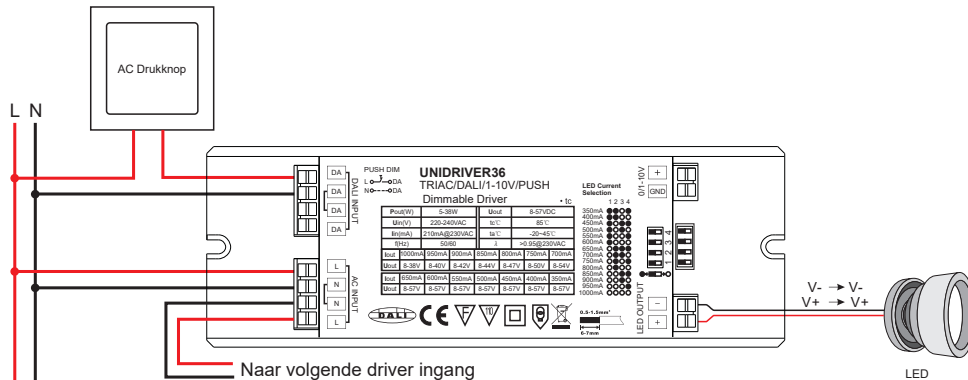
Wanneer er gedimd wordt via een TRIAC dimmer is het mogelijk dat deze niet tot 1% kan dimmen, dit is afhankelijk van het merk en type dimmer. Zorg er voor dat er gekozen wordt voor een dimmer die tot 1% kan dimmen indien dit gewenst is.

## Aansluitschema

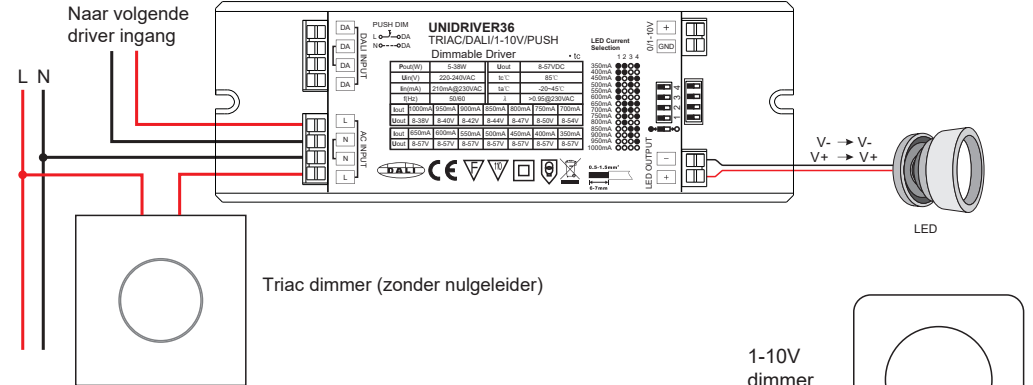
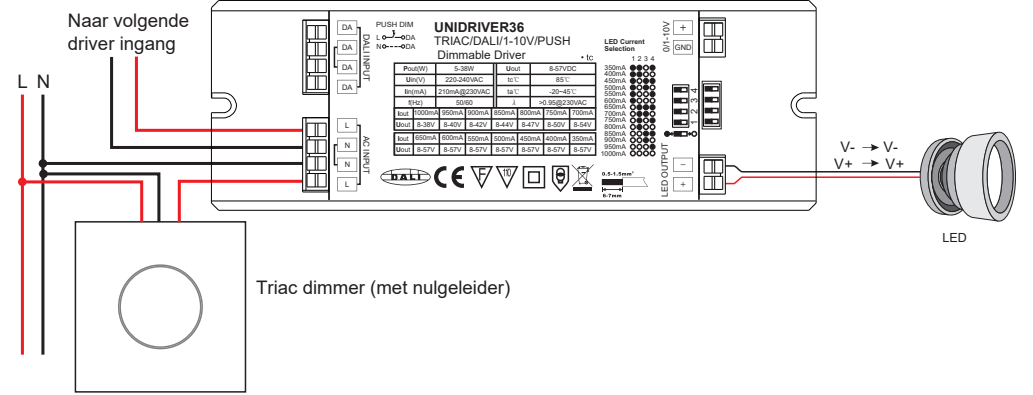
### 1. DALI bus



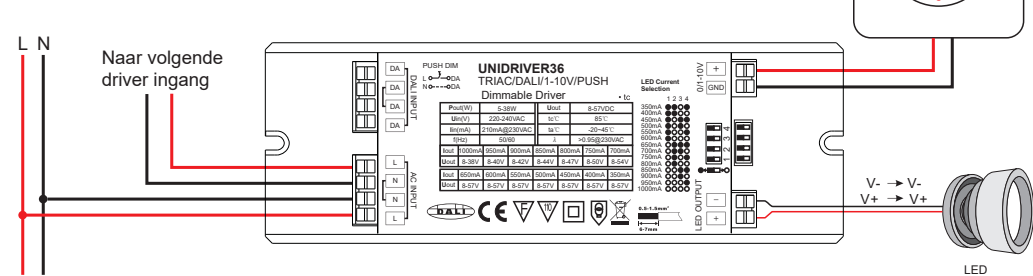
### 2. Met drukknop



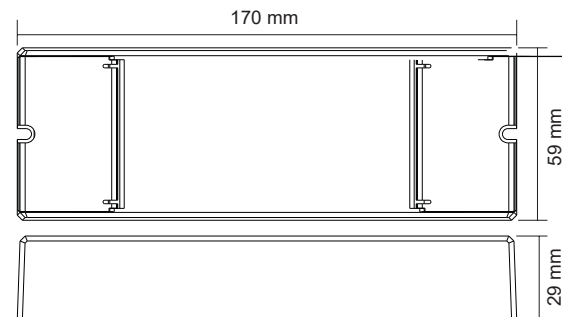
### 3. Met Triac dimmer



### 4. Met 1-10V dimmer

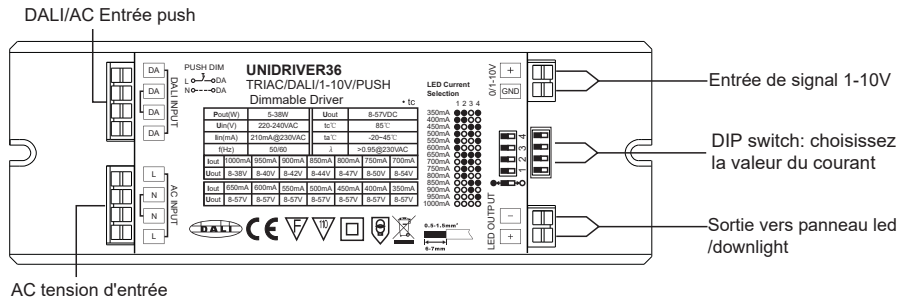


## Product afmetingen




# UNIDRIVER36

**Important:** Veuillez lire attentivement ces instructions avant l'installation.



- Driver dimmable LED DALI/AC Push/1-10V/Tiac dim
- Conforme IEC 62386-101:2014, IEC 62386-102:2014, IEC 62386-207 Ed2.
- DALI-2 interface intégré, DALI DT6 appareil
- Sortie: 1 canal courant constant puissance max. 38W
- Courant de sortie réglable entre 350mA-1000mA avec DIP switch
- Convient pour applications mono-couleur
- Driver Classe II, boîtier en plastique entièrement isolé
- Haute efficacité et facteur de puissance
- Compatible avec maîtres DALI universels DT6
- Compatible avec variateurs Triac
- Compatible avec variateurs universels 1-10V
- Gradation d'amplitude (gradation PWM inférieure à 10%), gradation profonde et douce jusqu'à 0,1%, sans scintillement
- Degré de protection IP20, convient pour applications intérieures
- 5 ans garantie

Dips to set the operation current



350mA ●●●●	550mA ●○○●	750mA ○●●●	950mA ○○○●
400mA ●●○○	600mA ●○○○	800mA ○●○○	1000mA ○○○○
450mA ●○○●	650mA ○●●●	850mA ○○●●	
500mA ●○●○	700mA ○●●○	900mA ○○●○	

**!! Toujours couper la tension lors du réglage des commutateurs DIP !!**

### Paramètres pour panneaux LED Integrattech QT/QTU

30W:750mA  
36W:900mA

### Paramètres pour panneaux LED Integrattech MANGA/MANGA U

30W:750mA  
36W:900mA  
38W:1000mA

Plage de connexion connecteurs sans vis: 0,75~2,5 mm<sup>2</sup>

## Product Data

Output	LED Channel	1						
	Selectable Current	350mA	400mA	450mA	500mA	550mA	600mA	650mA
	DC Voltage Range	8-57V	8-57V	8-57V	8-57V	8-57V	8-57V	8-57V
	Selectable Current	700mA	750mA	800mA	850mA	900mA	950mA	1000mA
	DC Voltage Range	8-54V	8-50V	8-47V	8-44V	8-42V	8-40V	8-38V
	Current Accuracy	±3%						
Rated Power	5-38W							
Input	Voltage Range	220-240V AC						
	Frequency	50/60Hz						
	Power Factor (Typ.)	>0.95						
	Efficiency (Typ.)	> 85% @ 230VAC						
	Input Current	210mA @ 230VAC						
Inrush Current (Typ.)	COLD START Max. 2A @ 230VAC							
Control	Dimming Interface	DALI (DALI consumption<2mA)/Push+Triac+0/1-10V						
	Dimming Range	0.1%-100%						
	Dimming Method	Amplitude dimming (PWM dimming under 10%)						
Protection	Short Circuit	Yes, auto recovery after fault removed						
	Over Current	Yes, auto recovery after fault removed						
	Over Temperature	Yes, auto recovery after fault removed						

Environment	Working Temp.	-20°C ~ +45°C
	Max. Case Temp.	85°C (Ta=45°C)
	Working Humidity	10% ~ 95% RH non-condensing
	Storage Temp. & Humidity	-40°C ~ +80°C, 10% ~ 95% RH
Safety&EMC	Safety Standards	EN61347-1, EN61347-2-13
	Withstand Voltage	I/P-O/P: 3.75KVAC
	EMC Emission	EN55015, EN61000-3-2, EN61000-3-3
	EMC Immunity	EN61547, EN61000-4-2,3,4,5,6,8,11, surge immunity Line-Line 1KV
Others	MTBF	188600H, MIL-HDBK-217F @ 230VAC at full load and 25°C ambient temperature
	Dimension	170*59*29mm (L*W*H)

## Fonctionnement

### 1. Sélection du mode de gradation

- 1.1. Le driver prend en charge 3 options de gradation: DALI, bouton-poussoir, Triac, 1-10V.
- 1.2. Effectuez le câblage requis selon le schéma ci-contre.
- 1.3. Lorsque vous utilisez une autre méthode de gradation, retirez toujours le câblage existant.
- 1.4. N'utilisez jamais plus d'une méthode de gradation à la fois

### 2. Adresse DALI attribuée par le maître DALI

Lorsqu'il est connecté à un bus DALI, une adresse DALI est automatiquement attribuée au driver. Consultez le manuel principal DALI pour les options spécifiques.

### 3. Mode bouton poussoir

Lors de l'utilisation d'un bouton poussoir, le driver passe automatiquement en mode bouton poussoir. Fonctionnement en mode bouton poussoir:

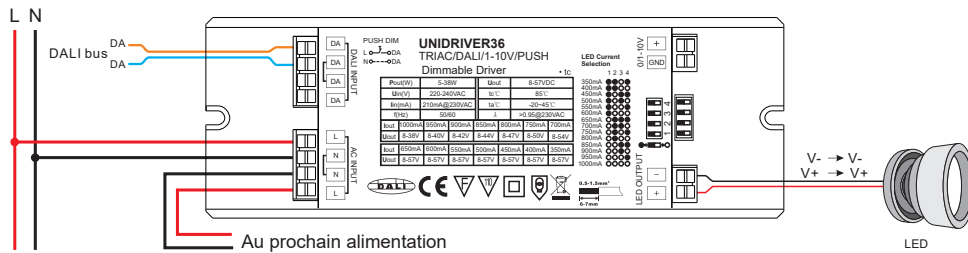
- 3.1. Appuyez brièvement sur le bouton pour allumer ou éteindre.
- 3.2. Appuyez longuement pour une gradation entre 1 et 100%.
- 3.3. Le driver est équipé d'une fonction mémoire. Une fois rallumé, le conducteur revient au dernier réglage. Même lorsque la tension est interrompue.

### 4. Mode Triac

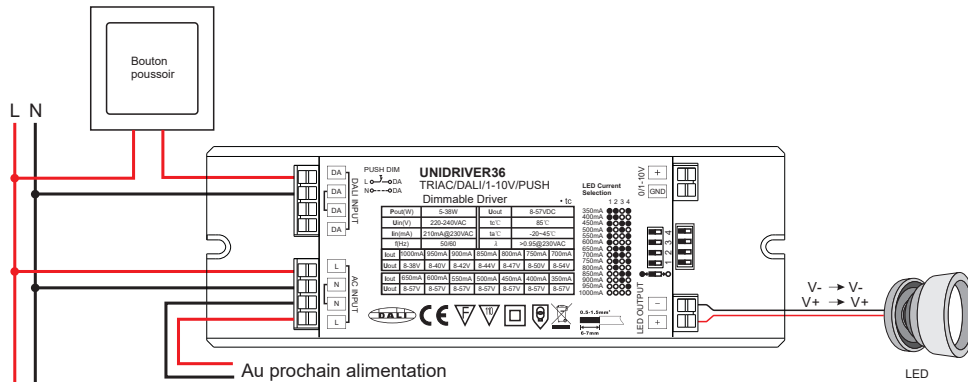
Lors de la gradation via un variateur TRIAC, il est possible qu'il ne puisse pas varier à 1%, cela dépend de la marque et du type de variateur. Assurez-vous de choisir un gradateur qui peut varier jusqu'à 1% si vous le souhaitez.

## Schéma de connexion

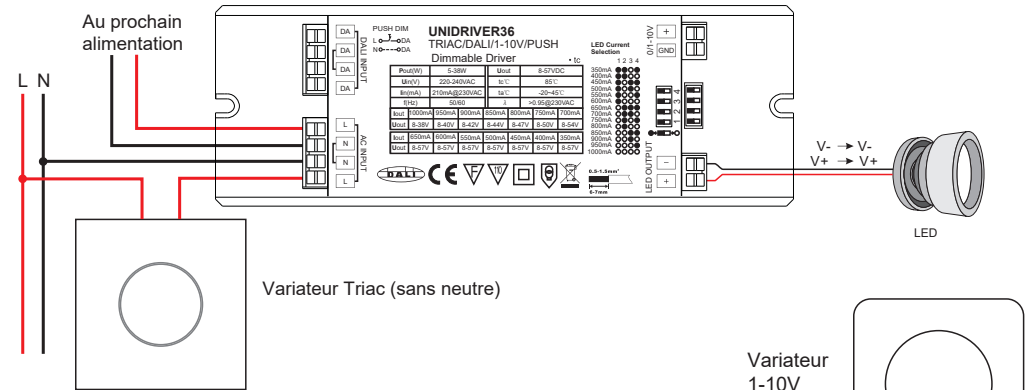
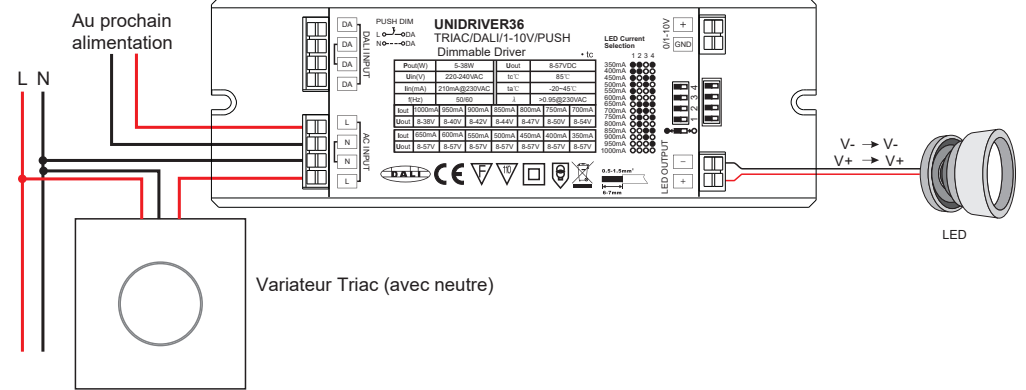
### 1. DALI bus



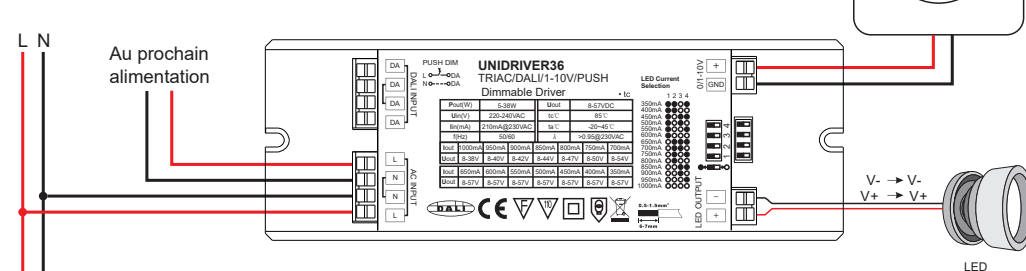
### 2. Avec bouton poussoir



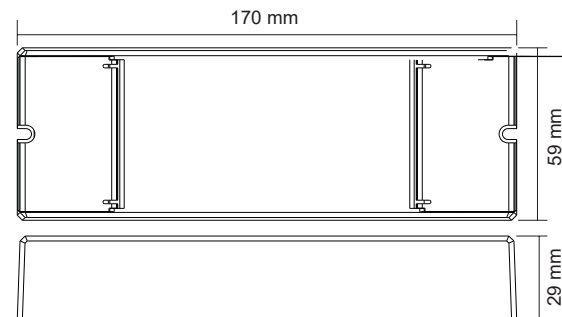
### 3. Avec variateur Triac



### 4. Avec variateur 1-10V

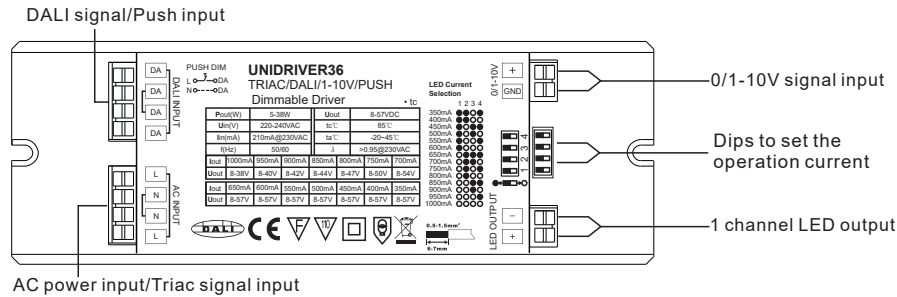


## Dimensions du produit



# UNIDRIVER36

**Important: Read All Instructions Prior to Installation**  
**Function introduction**



- Dimmable LED driver with DALI/Push/Triac/1-10V dimming interfaces
- In compliance with IEC 62386-101:2014, IEC 62386-102:2014, IEC 62386-207 Ed2.
- Built-in DALI-2 interface, DALI DT6 device
- 1 channel constant current output, max. output power 38W
- Output current 350-1000mA selectable by DIP switch
- Enables to control single color LED lighting
- Class II power supply, full isolated plastic case
- High power factor and efficiency
- Compatible with universal DALI masters that support DT6 commands
- Compatible with universal Triac dimmers
- Compatible with universal 0/1-10V dimmers
- Amplitude dimming (PWM dimming under 10%), deep and smooth dimming to 0.1%, flicker free
- IP20 rating, suitable for indoor LED lighting applications
- 5 years warranty



350mA	●●●●	550mA	●○○●	750mA	○○●●	950mA	○○○●
400mA	●●○○	600mA	●○○○	800mA	○○○○	1000mA	○○○○
450mA	●○○●	650mA	○○●●	850mA	○○●●		
500mA	●○○○	700mA	○○○○	900mA	○○●○		

**!! Always switch off the power before changing the dip switches !!**

### Settings for Integrattech QT/QTU/BRIGHT panel series

30W:750mA  
 36W:900mA

### Settings for Integrattech MANGA U panel series

30W:750mA  
 36W:900mA  
 38W:1000mA

Toolless connection range: 0,75~2,5 mm<sup>2</sup>

### Product Data

Output	LED Channel	1						
	Selectable Current	350mA	400mA	450mA	500mA	550mA	600mA	650mA
	DC Voltage Range	8-57V	8-57V	8-57V	8-57V	8-57V	8-57V	8-57V
	Selectable Current	700mA	750mA	800mA	850mA	900mA	950mA	1000mA
	DC Voltage Range	8-54V	8-50V	8-47V	8-44V	8-42V	8-40V	8-38V
	Current Accuracy	±3%						
	Rated Power	5-38W						
Input	Voltage Range	220-240V AC						
	Frequency	50/60Hz						
	Power Factor (Typ.)	>0.95						
	Efficiency (Typ.)	> 85% @ 230VAC						
	Input Current	210mA @ 230VAC						
Control	Inrush Current (Typ.)	COLD START Max. 2A @ 230VAC						
	Dimming Interface	DALI (DALI consumption<2mA)/Push+Triac+0/1-10V						
	Dimming Range	0.1%-100%						
Protection	Dimming Method	Amplitude dimming (PWM dimming under 10%)						
	Short Circuit	Yes, auto recovery after fault removed						
	Over Current	Yes, auto recovery after fault removed						
	Over Temperature	Yes, auto recovery after fault removed						

Environment	Working Temp.	-20°C ~ +45°C
	Max. Case Temp.	85°C (Ta=45°C)
	Working Humidity	10% ~ 95% RH non-condensing
	Storage Temp. & Humidity	-40°C ~ +80°C, 10% ~ 95% RH
Safety&EMC	Safety Standards	EN61347-1, EN61347-2-13
	Withstand Voltage	I/P-O/P: 3.75KVAC
	EMC Emission	EN55015, EN61000-3-2, EN61000-3-3
	EMC Immunity	EN61547, EN61000-4-2,3,4,5,6,8,11, surge immunity Line-Line 1KV
Others	MTBF	188600H, MIL-HDBK-217F @ 230VAC at full load and 25°C ambient temperature
	Dimension	170*59*29mm (L*W*H)

## Operation

### 1. Dimming Interface Selection

- 1.1. The LED driver supports 4 kinds of dimming input: DALI, Push, Triac, 0/1-10V.
- 1.2. Please select any of the 4 dimming interfaces to wire each time.
- 1.3. To connect a new dimming interface, previously connected dimming interface must be disconnected.
- 1.4. DO NOT connect more than 2 (including 2) dimming interfaces simultaneously.

### 2. DALI Address Assigned by DALI Masters

While connected with DALI interface, 1 DALI address can be assigned by DALI Master controller automatically, please refer to user manuals of compatible DALI Masters for specific operations.

### 3. PUSH Dimmer Mode

While connected with a AC PUSH, the driver will be in Push Dimmer Mode, operations under Push Dimmer Mode are as follows:

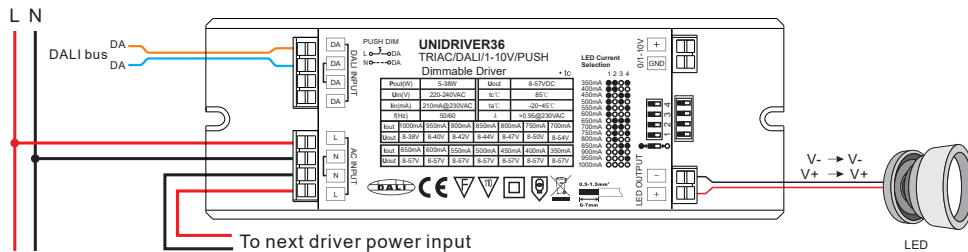
- 3.1. Click the button to switch ON/OFF
- 3.2. Press and hold down the button to increase or decrease light intensity to desired level and release it, then repeat the operation to adjust light intensity to opposite direction. The dimming range is from 1% to 100%.
- 3.3. Memory function after power off or power failure enables the device to memorize the status before power off while power on again.

### 4. Triac Dimming Input

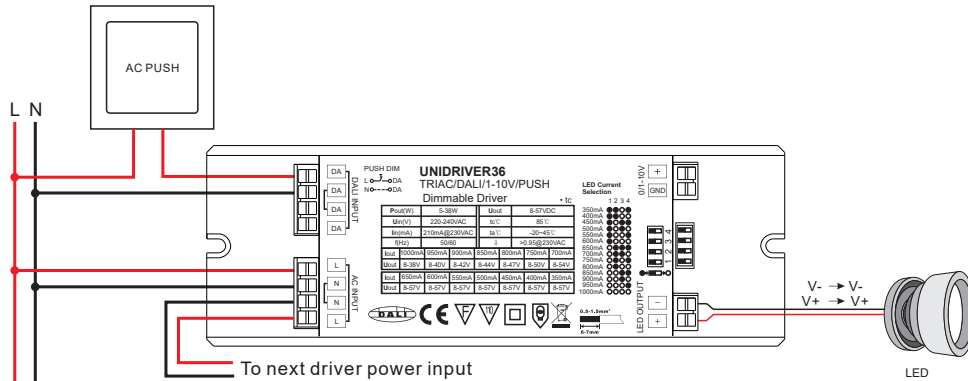
While connected with a Triac dimmer, different Triac dimmers from different suppliers may have different minimum dimming levels which the driver can not be dimmed below. To dim to 1%, please make sure the dimmer supports 1% minimum dimming level.

## Wiring Diagram

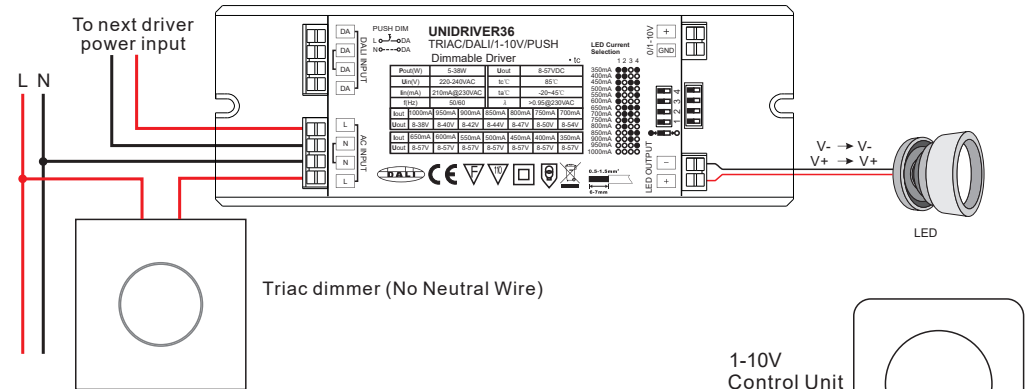
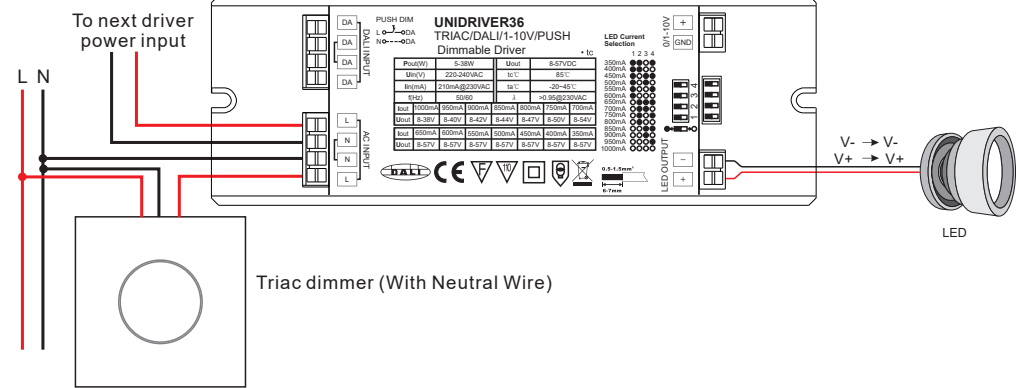
### 1. With DALI bus



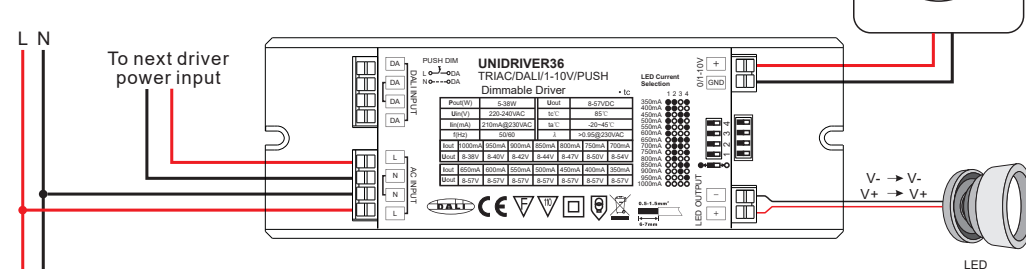
### 2. With PUSH dimmer



### 3. With Triac dimmer



### 4. With 0/1-10V dimmer



## Product Dimension

